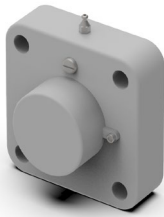


# Bearings

## Bearing description



DK Transportbaand has developed bearing houses that meet the requirements and wishes of the food industry. The bearing houses are completely smooth and closed on the back, and either open, or closed to protect the bearing against moisture and detergents.

Standard materials for the bearing house and cover are PA6 Nylon and Steel or Stainless Steel for the insert bearing.

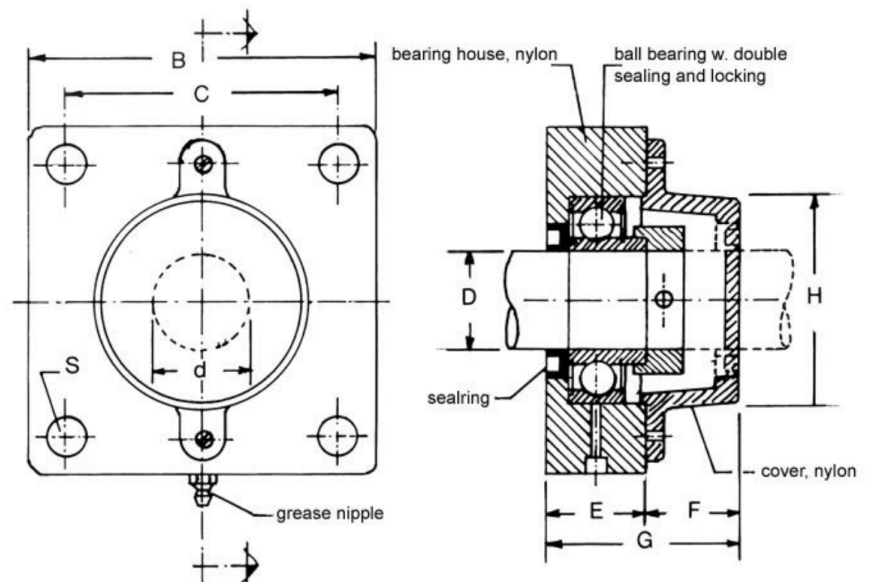
For more information regarding setup, possibilities, customization and options feel free to contact us!

## Bearing dimensions



D:	B:	C:	S:	E:	F:	G:	H:	d:
Ø 25,0	95,0	70,0	Ø 11,0	29,0	27,5	56,5	Ø 55,0	Ø 26,0
Ø 30,0	108,0	82,5	Ø 11,0	30,0	30,0	60,0	Ø 65,0	Ø 31,0
Ø 35,0	118,0	92,0	Ø 12,0	31,5	31,5	62,5	Ø 75,0	Ø 36,0
Ø 40,0	130,0	101,5	Ø 14,0	32,0	32,5	64,5	Ø 83,0	Ø 41,0

Front-view of the Bearing.



Front- and side view of the Bearing.

Interested in Bearings or need more information?  
 Feel free to contact us!